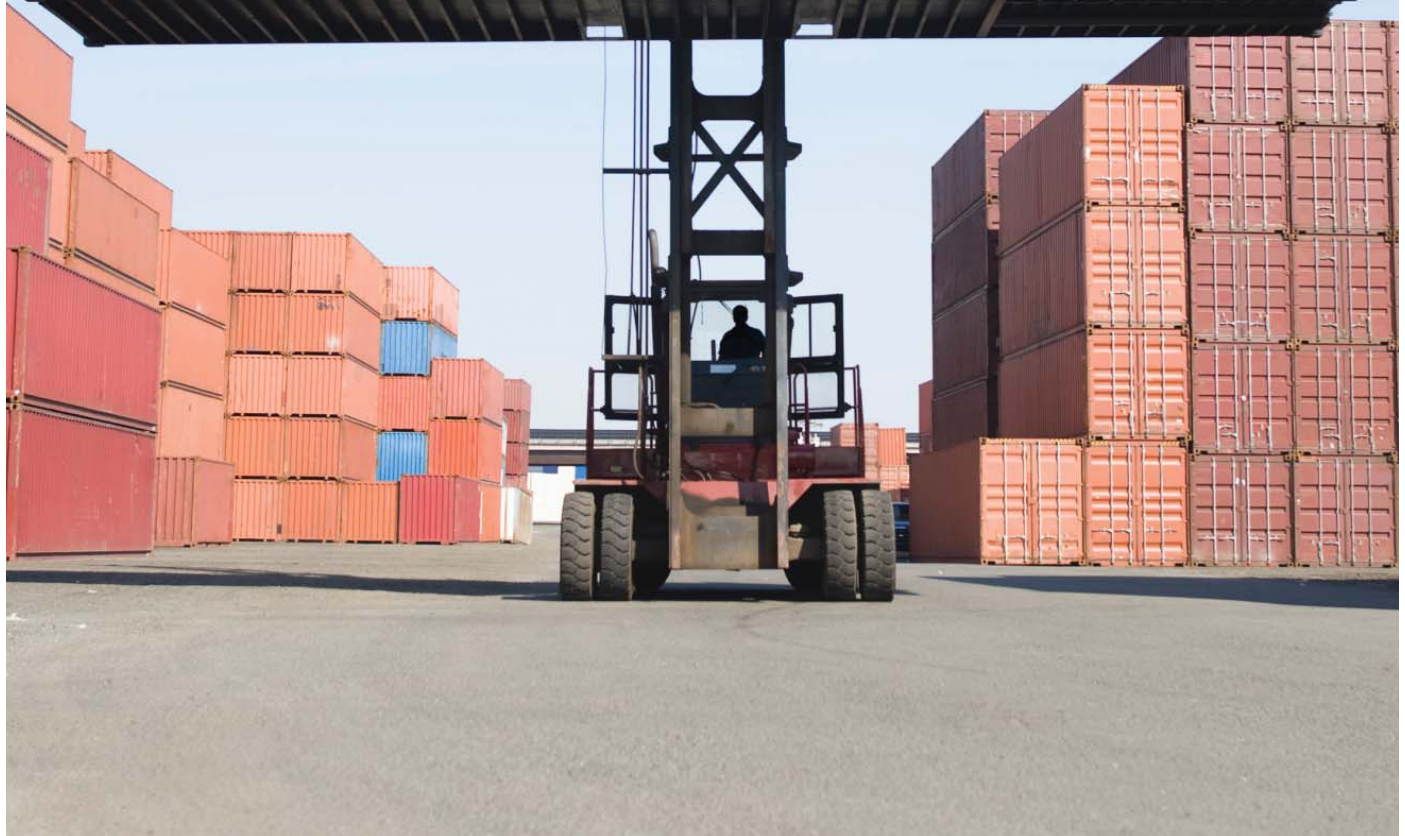


Dafo was the first company to pass the SPCR 183 stipulated fire tests. Many of the world's leading vehicle manufacturers install Dafo Forrex Fire Suppression Systems as a standard. Dafo has until today sold more than 100 000 systems to leading manufacturers as Volvo, Hyster, Cargotec etc. We have installed systems for container handling machines in Sweden, Finland, Germany, England, Belgium, France, Djibouti for example.

## DAFO FORREX FIRE SUPPRESSION SYSTEMS FOR CONTAINER HANDLING MACHINES



### Most vehicle fires start in engine compartments and surrounding areas.

A tested and certified fire suppression system in combination with efficient fire detection, is the best first response in case of an emergency.

Dafo Forrex Fire Suppression Systems respond rapidly to any increase in temperature. The Dafo system is developed to use



*The liquid agent extinguishes fire and effectively prevents re-ignition.  
A low pressure system demanding but modest space and that operates down to -30° C.*

worldwide in both cold and hot climate and designed after the Swedish guidelines SPCR 183 and SBF 127, which requires 3L extinguishing agent for 1 m<sup>3</sup> protected space.

This means that we leave nothing to chance, safety first! The Dafo system is designed to perform even under severe conditions in harsh environments.

  
fire & rescue systems

# DAFO FORREX FIRE SUPPRESSION SYSTEMS FOR CONTAINER HANDLING MACHINES



*Since the beginning back in 1919, Dafo Brand has developed into a modern, high-tech company. As one of the biggest Nordic suppliers of fire safety and rescue equipment, we have the very best solutions to offer every customer.*

*Fire safety, extinguishing equipment or rescue equipment - we can make sure you always have the solution you need. Our aim is to make sure all our customers are safe and secure.*

*We have four main business areas - Fire extinguishers and first line fire safety, Fire suppression systems, Rescue equipment and Maintenance, service & training.*

## DAFO FIRE SUPPRESSION SYSTEMS

As the owner of a vehicle equipped with a Dafo Forrex Fire Suppression System, you have taken an important step in facing the fire problem. This flexible, fully automatic system detects and extinguishes fire rapidly. Detection is achieved through a linear heat detector wire which detects the fire in an early stage. Means to manually release the system can be provided upon request. The agent is released through a pipe system with specially designed nozzles that effectively covers the protected areas.

## FORREX - MAKES THE DIFFERENCE

The liquid used in the Forrex system is specially developed for use on fires in combustible engines. It is highly effective on fires in flammable liquids like petrol, diesel and hydraulic oils and in burning solids like wood, chips and peat. It smothers quickly fires from diesel oil flowing from a burst fuel pipe or hydraulic oil sprayed under pressure. The liquid will also stick to surfaces, effectively preventing reignition.

## PERSONNEL SAFETY

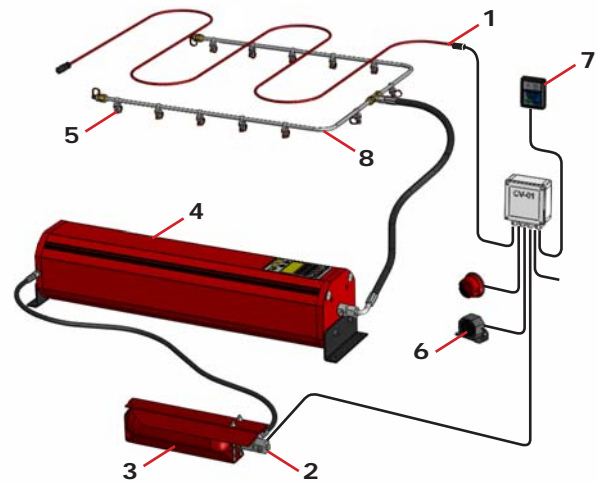
The harmless extinguishing liquid and normally pressureless containers presents no health risk to operators or staff.

### IN CASE OF FIRE

- Stop the vehicle at a safe place as quickly as possible
- Get the hand portable extinguisher and check if it's still burning
- Call the fire department if necessary
- Cut the wire to the horn
- Document the fire
- Clean up
- Recharge the extinguishing system

## FUNCTION

Fire is indicated by a linear heat detector wire (1) that sends a signal to the actuator (2) which punctures the burst disc of the propellant gas cartridge (3) and releases nitrogen to the agent container (4) that distributes the Forrex liquid to the nozzles (5) through the pipe system (8). At the same time the alarm system is activated, an alarm horn (6) in the vehicle and a light signal in the panel will warn the driver (7).



## CERTIFICATE

The system is certified by TÜV, SBF, FM, Russian Law of Fire Safety no. 123F3 and SPCR 183. Dafo Forrex extinguishing fluid is certified by the MPA, the SP Environment certificate, Lloyds Register (ICAO Level B) and CCC (China). Dafo Forrex Fire Suppression System is tested for EMC, vibration and temperature according to vehicle standards.

